

SANITARY OR STORM
 MANHOLE DETAIL

MINIMUM MANHOLE DIAMETERS
 REFER TO PLAN FOR SPECIFIC SIZING REQUIREMENTS

M.H. INSIDE DIAMETER	MAX. PIPE DIAMETER
48"	30"
60"	36"
72"	48"
84"	54"
90"	60"
96"	60"

NOTES:

1. A DROP M.H. SHALL BE CONSTRUCTED IN SEWERS WHEREVER THE DISTANCE BETWEEN INVERTS IS 2.5' OR GREATER.
2. ALL SECTIONS SHALL BE PRECAST CONFORMING TO C-478.
3. ALL EXTERIOR SANITARY JOINTS SHALL BE SEALED IN A RUBBERIZED WATER PROOFING WRAPING AROUND CASTING JOINTS AND RISER SECTION.

OFFSET SHALL BE SET TO AVOID
 SIDEWALK OR UNDERDRAINS.

FRAMES:
 SANITARY & STORM FRAME 1022Z1
 SANITARY MANHOLE - SOLID LID/WATERTIGHT
 EJ 1020AGS WITH WORD "SANITARY" OR
 VENTED LID EJ 1020B WITH WORD "STORM" OR
 APPROVED EQUAL SET ON BUTYL SEALANT BED

GRADE ADJUSTMENT BY USE OF:
 PRECAST CONCRETE ADJUSTING COLLARS OR Poured
 IN PLACE SET ON BUTYL SEALANT BED PER ASTM C-478
 FINAL HEIGHT ADJUSTMENT 1/2" RUBBER RISER RING
 WATERPROOFING TAR TO BE USED ON
 OUTSIDE OF CASTING AND RISER CONE ONLY
 THE USE OF ANY BRICK IS NOT ALLOWED

MANHOLE STEPS: M.A. INDUSTRIES, INC. PS1-PF
 POLYPROPYLENE PLASTIC OR APPROVED EQUAL

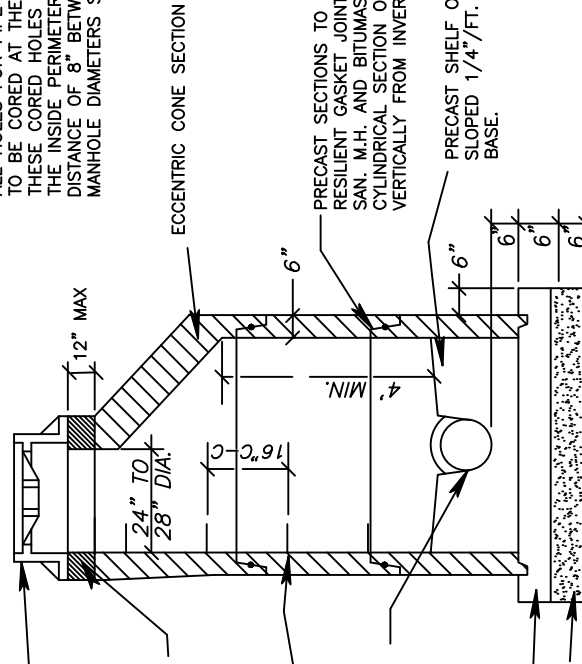
MANHOLE JOINTS:
 MANHOLE TO PIPE OR PIPE TO PIPE JOINT SHALL
 BE A WATER TIGHT CONNECTION PROVIDING A FLEXING
 AND LATERAL MOVEMENT WITHOUT SHEARING OF THE
 SEWER PIPE SUCH AS "RES-SEAL," "KOR-N-SEAL,"
 "DURASEAL," MISSION CUPLINK OR APPROVED EQUAL.

AGGREGATE:
 CRUSHED STONE AGGREGATE NO. 67, THOROUGHLY
 COMPACTED (NO SLAG), INSTALLED PER ASTM D-2321.

ALL HOLES FOR PIPE TO MANHOLE CONNECTIONS ARE
 TO BE CORED AT THE TIME OF PRECAST MANUFACTURE.
 THESE CORED HOLES SHALL HAVE MEASURED ALONG
 THE INSIDE PERIMETER OF THE MANHOLE A MINIMUM
 DISTANCE OF 8" BETWEEN ADJACENT HOLES. MINIMUM
 MANHOLE DIAMETERS SHALL BE INCREASED ACCORDINGLY

PRECAST SECTIONS TO CONFORM TO ASTM C-478 WITH A
 RESILIENT GASKET JOINT CONFORMING TO ASTM C-443 FOR
 SAN. M.H. AND BITUMASTIC TYPE JOINT FOR ST. M.H.,
 CYLINDRICAL SECTION OF MANHOLE TO BE EXTENDED
 VERTICALLY FROM INVERT SHELF A MINIMUM OF 4'0".

PRECAST SHELF OR INVERT
 SLOPED 1/4"/FT. ON PRECAST
 BASE.



SANITARY OR STORM
 MANHOLE DETAIL