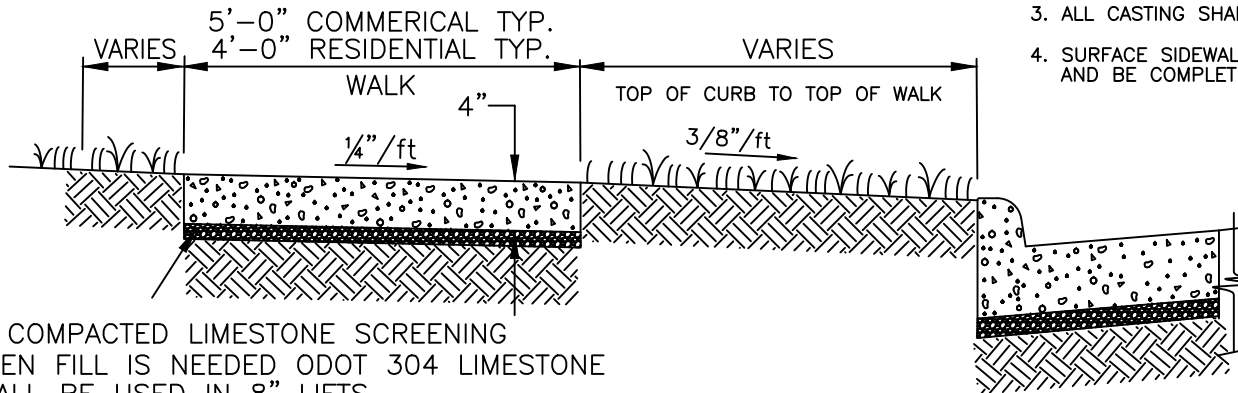


TOOL IMPRESSED JOINT 1/4" WIDE MIN. X 1" DEEP @ 5'-0" INTERVALS
HAND TOOL EDGE FINISH AREAS "SMOOTH", EDGES WITH 1/4" RADIUS

TYPICAL WALK FINISH AND JOINTS
NOT TO SCALE

NOTE:

1. EXPANSION CONTROL SHALL BE AT ONE HUNDRED FOOT (100') INTERVALS UNLESS OTHERWISE NOTED. USE ONLY 1/2" RUBBERIZED EXPANSION JOINT MATERIAL FULL DEPTH. RUBBERIZED EXPANSION SHALL BE FLUSH WITH CONCRETE EDGES.
2. CONSTRUCTION SHALL BE IN ACCORDANCE WITH ODOT ITEM 608.
3. ALL CASTING SHALL BE SET TO PROPER GRADE.
4. SURFACE SIDEWALK SHALL HAVE A BROOM FINISH AND BE COMPLETELY COVERED WITH CURE AND SEAL.



2" COMPACTED LIMESTONE SCREENING
WHEN FILL IS NEEDED ODOT 304 LIMESTONE
SHALL BE USED IN 8" LIFTS.

NOTE:
SIDEWALK SHALL BE CONSTRUCTED OF 4000 PSI
OR APPROVED EQUAL PORTLAND CONCRETE AND HAVE
HAVE A NON-SLIP FINISH SURFACE. FINISH SHALL BE
PERPENDICULAR TO DIRECTION OF TRAFFIC. APPLY
CURING COMPOUNDS SPECIFIED IN ODOT 451.11.

SIDEWALK THICKNESSES:

- 4" - TYPICAL
- 6" - RESIDENTIAL DRIVE APRONS
- 8" - COMMERCIAL DRIVE APRONS