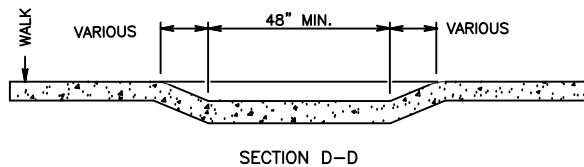
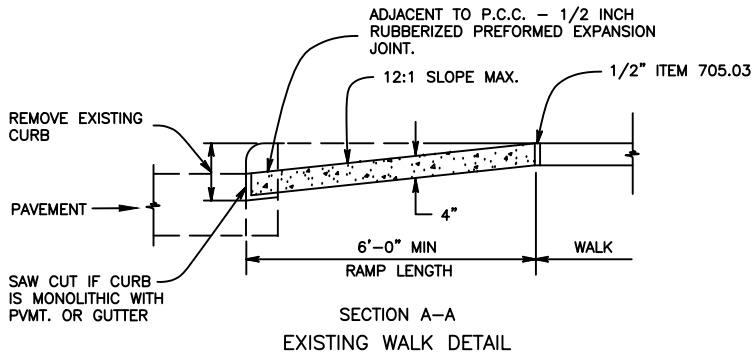
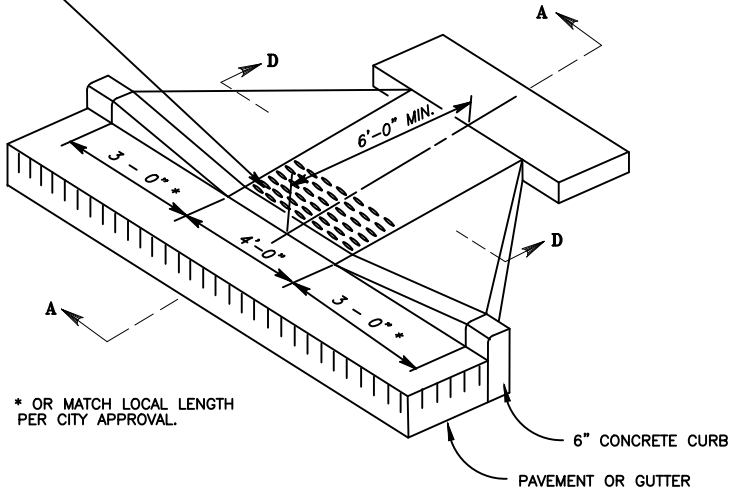


DETECTABLE WARNINGS (TRUNCATED DOMES) ARE TO BE INSTALLED FOR A DISTANCE OF 24" FROM BACK OF CURB FOR THE ENTIRE WIDTH OF RAMP.



PAYMENT:

WALK AND CURB, ITEMS 608 AND 609, SHALL BE MEASURED THROUGH THE CURB RAMP AREA AND PAID FOR UNDER THEIR RESPECTIVE ITEMS. ITEM "608, EACH, CURB RAMP" CONSTRUCTED IN CURB AND WALK SHALL INCLUDE THE COST OF ANY ADDITIONAL MATERIALS, GRADING, FORMING AND FINISHING. ITEM "608, SQUARE FOOT, CURB RAMP", CONSTRUCTED IN EXISTING CURB AND WALK SHALL INCLUDE THE COST OF ANY ADDITIONAL MATERIALS, GRADING, FORMING AND FINISHING OF THE CURB AND WALK OF THE CURB RAMP. REMOVAL OF EXISTING CURB AND WALK SHALL BE PAID UNDER ITEM 202.

SURFACE TEXTURE:

SHALL BE OBTAINED COARSE BROOMING TRANSVERSE TO THE RAMP SLOPES AND SHALL BE ROUGHER THAN ADJACENT WALKS.

DETECTABLE WARNINGS (TRUNCATED DOMES) ARE TO BE INSTALLED FOR A DISTANCE OF 24" FROM BACK OF CURB FOR THE ENTIRE WIDTH OF RAMP.

ACCEPTIBLE MANUFACTURES AND PRODUCYS ARE:

- 1) ADA PLASTIC INSERT
12 ANCHOR LOCATIONS
1.670" IN LINE TRUNCATED DOMES
SIZE: 12" X 36"
COLOR: RED

JOINTS:

SHALL BE PROVIDED IN THE CURB RAMP AS EXTENTIONS OF WALK JOINTS AND CONSISTENT WITH 608.03 REQUIREMENTS FOR A NEW CONCRETE WALK. A 1/2 INCH 705.03 EXPANSION JOINT FILLER SHALL BE PROVIDED ROUND THE EDGE OF RAMPS BUILT IN EXISTING CONCRETE WALK. LINES SHOWN ON THIS DRAWING INDICATE THE RAMP EDGE AND SLOPE CHANGES AND ARE NOT NECESSARILY JOINT LINES.

DIMENSIONS, LOCATIONS AND TYPE

TYPE:

SHAPE OF CURB RAMP BUILT SHALL BE THE TYPE THAT BEST FITS THE LOCATION UNLESS A TYPE IS SPECIFIED IN THE PLANS. CURB RAMPS (FLARED SIDES) SHOULD BE USED AT LOCATIONS WHERE PEDESTRIANS MUST WALK ACROSS THE RAMP AT AN ANGLE. CURB RAMPS (STEEP SIDE) SHOULD BE USED WHERE PEDSTRIANS WOULD NOT NORMALLY WALK ACROSS OR PERPENDICULAR TO THE CENTERLINE OF THE RAMP. SIDES OF THESE RAMPS MUST BE PARALLEL TO THE PEDESTRIAN FLOW.

SLOPE:

SLOPE OF THE RAMP TOWARD THE CURB IS PREFERRED TO BE 12:1 OR FLATTER RELATIVE TO THE HORIZONTAL BUT THE MAXIMUM SLOPE SHALL BE 12:1 RELATIVE TO THE EXISTING OR PROPOSED WALK SLOPE. THE MINIMUM RAMP LENGTH IS 6 FT. FROM THE BACK OF A 6 IN. CURB AND MAY BE INCREASED WHERE FEASIBLE TO OBTAIN A FLATTER RAMP SLOPE OR TO BETTER BLEND WITH THE WALK CONFIGURATION.

WIDTH:

WIDTH OF RAMP SHALL NORMALLY BE 4 FT. BUT A MINIMUM WIDTH OF 3 FT. MAY BE USED TO BETTER FIT THE WALK CONFIGURATION OR WHERE SITE CONDITIONS ARE RESTRICTED BY NARROW WALKS, POLE FOUNDATIONS, DRAINAGE INLETS, ETC. THE WIDTH MAY BE TAPERED.

WALK THICKNESS:

WALK THICKNESS IN THE RAMP SLOPES SHALL BE 4 IN. MINIMUM OR THICKER AS NECESSARY TO MATCH ADJACENT WALK THICKNESS.