

SANITARY OR STORM DOGHOUSE MANHOLE DETAIL

STANDARD DETAIL

S-29

REVISION
2/11/2020

MINIMUM MANHOLE DIAMETERS
REFER TO PLAN FOR SPECIFIC SIZING REQUIREMENTS

M.H. INSIDE DIAMETER	MAX. PIPE DIAMETER
48"	30"
60"	36"
72"	48"
84"	54"
90"	60"
96"	60"

OFFSET:
OFFSET SHALL BE SET TO AVOID
SIDEWALK OR UNDERDRAINS.

NOTES:

1. A DROP M.H. SHALL BE CONSTRUCTED IN SEWERS WHEREVER THE DISTANCE BETWEEN INVERTS IS 2.5' OR GREATER.
2. ALL SECTIONS SHALL BE PRECAST CONFORMING TO C-478.
3. ALL EXTERIOR SANITARY JOINTS SHALL BE SEALED IN A RUBBERIZED WATER PROOFING WRAPPING AROUND CASTING JOINTS AND RISER SECTION.

FRAMES:
SANITARY & STORM FRAME 1022Z1
SANITARY MANHOLE - SOLID LID/WATERTIGHT EU 1020AGS WITH WORD "SANITARY" OR VENTED LID EU 1020B WITH WORD "STORM" OR APPROVED EQUAL SET ON BUTYL SEALANT BED

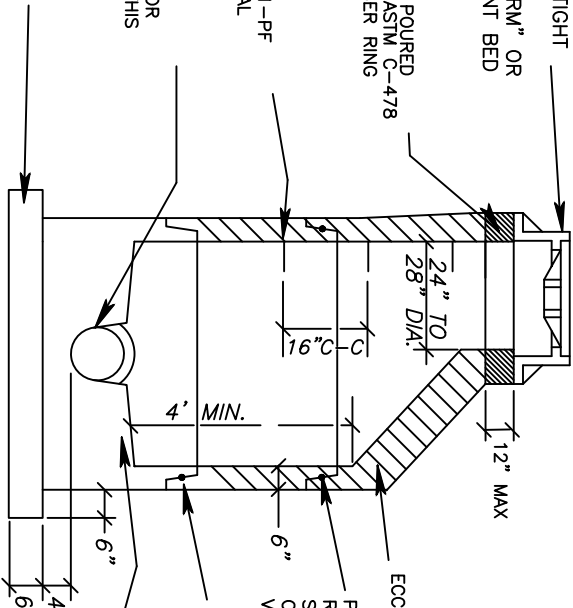
GRADE ADJUSTMENT BY USE OF:
PRECAST CONCRETE ADJUSTING COLLARS OR Poured IN PLACE SET ON BUTYL SEALANT BED PER ASTM C-478 FINAL HEIGHT ADJUSTMENT 1/2" RUBBER RISER RING WATERPROOFING TAR TO BE USED ON OUTSIDE OF CASTING AND RISER CONE ONLY THE USE OF ANY BRICK IS NOT ALLOWED

MANHOLE STEPS: M.A. INDUSTRIES, INC. PS1-PF POLYPROPYLENE PLASTIC OR APPROVED EQUAL

MANHOLE JOINTS:
MANHOLE OPENINGS AND PIPE JOINTS SHALL BE A WATER TIGHT CONNECTION. CONTRACTOR SHALL PROVIDE CONNECTIONS AS PART OF THIS DETAIL.

CONCRETE BASE:
POURED IN PLACE CLASS MS CONCRETE #7 REBAR 6" O/C EACH WAY

EARTH BASE:
CONTRACTOR TO VERIFY IF EARTH BASE REQUIRES UNDERCUTTING. IF UNDERCUTTING IS REQUIRED, PAYMENT UNDER SEPARATE BID ITEM.



ALL HOLES FOR PIPE TO MANHOLE CONNECTIONS ARE TO BE CORED AT THE TIME OF PRECAST MANUFACTURE. THESE CORED HOLES SHALL HAVE MEASURED ALONG THE INSIDE PERIMETER OF THE MANHOLE A MINIMUM DISTANCE OF 8" BETWEEN ADJACENT HOLES. MINIMUM MANHOLE DIAMETERS SHALL BE INCREASED ACCORDINGLY

ECCENTRIC CONE SECTION

PRECAST SECTIONS TO CONFORM TO ASTM C-478 WITH A RESILIENT GASKET JOINT CONFORMING TO ASTM C-443 FOR SAN. M.H. AND BITUMASTIC TYPE JOINT FOR ST. M.H. CYLINDRICAL SECTION OF MANHOLE TO BE EXTENDED VERTICALLY FROM INVERT SHELF A MINIMUM OF 4'0".

PRECAST AND CAST IN PLACE SECTIONS TO BE CONSTRUCTED WITH A RESILIENT GASKET JOINT 'O' RING. SECTIONS SHALL BE A WATER TIGHT CONNECTION AS PART OF THIS DETAIL.

MONOLITHIC Poured IN PLACE SHELF AND INVERT SLOPED 1/4"/FT. ON BASE WITH MS CONCRETE.

REMOVE EXISTING EXTERNAL CONDUIT AND POUR INVERT.

SANITARY OR STORM DOGHOUSE MANHOLE DETAIL